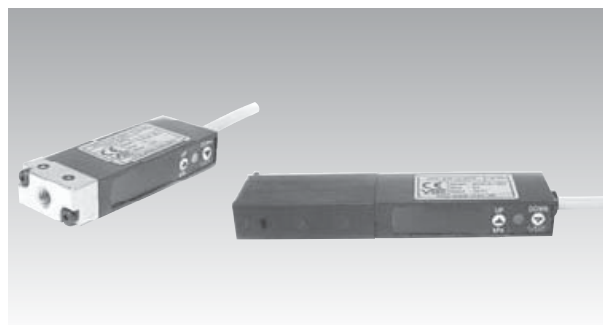


VACUUM Switch

Features

- Compact size(10mm) • Adjustable hysteresis with 2 buttons
- Output response less than 1.5msec • NPN or PNP output
- Analog output option • IP65 protection system • Flashing LED



Order no.

VPS - V10 M5 - P C - KPS

① ② ③ ④

① Pressure range

- **V10** – negative pressure (-101 ~ 0 Kpa)

Output type

- **no mark** – NPN Open Collector
- **P** – PNP Open Collector

② Specs of pressure port

- **no mark** – Mini Keyboard pump 부착용
- **M5** – M5 female, rectangular, silicone diaphragm

③ Specs of cable

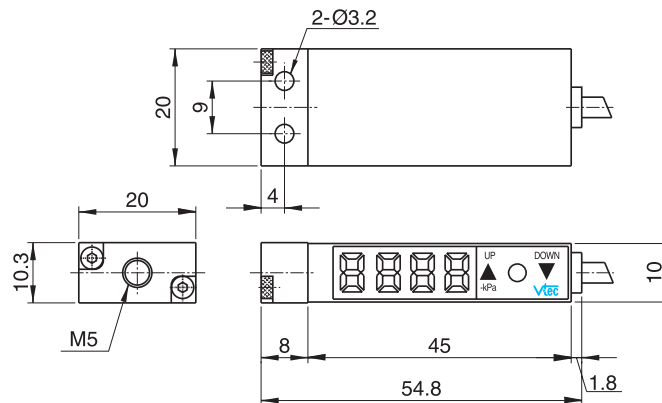
- **G** – grommet 3-core 2m lead wire
- **C** – MM8, 4P connector 2m lead wire

Operating specifications

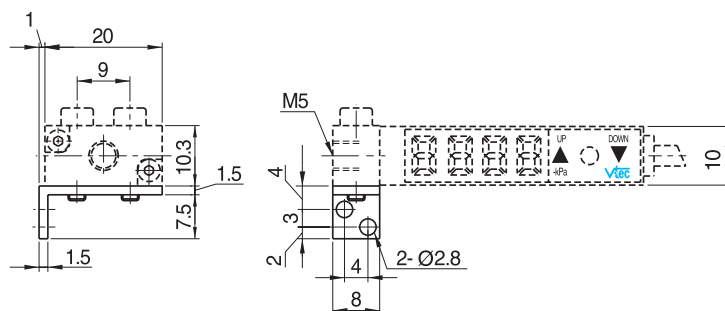
Specifications	Model	VPS-V10②-③④-KPS
Diaphragm		Silicone
Applicable fluid		Non - Corrosive gas
Pressure range (kPa)		-101 ~ 0
Pressure proof force (MPa)		0.5
Indicator resolution (kPa)		0.1
Pressure range		KPa fixed
Repeatability		< ±0.2% of F.S.
Operating humidity		35~85%RH
Temperature range		0~50℃
Thermal error		< 25℃±2% of F.S. in range of 0~+50℃
Storage temperature range		-10~+60℃
Response time		< 1.5msec
Output		NPN(N) or PNP(P) open collector max.125mA Output 1 point
Analog output (Option)		DC1~5V(1±0.1V, 5V±0.1V) output resistance 0~500Ω Linearity 0.5%F.S
Protection circuit		Reverse connection circuit, surge absorption, output over-current protection circuit
Protection structure		IP40
Line voltage		DC10.8~30V, < ripple(Vp-p)10% less
Current Consumption		60mA or less
Vibration resistance		Endurance 10~150Hz, double amplitude 1.5mm, 2 hours/each direction of XYZ
Shock resistance		Endurance 100m/S ² (about 10G), 3 times/each direction of XYZ (at time of power off)
Materials		M5 female port - AL, Polycarbonate(Body)
Weight		18g

Dimensional Information

VPS-V10M5-③④-KPS



VL10-4 (Installation Bracket)



VPS-V10-③④-KPS (For Mini keyboard pump)

